

- An easy to follow step by step guide.
- Complete materials check list.
- List of all tools required.

In this brochure we have suggested measurements but you can easily change them to suit your particular needs.

Before you commence your gazebo project we recommend you read this step by step guide fully so that you have a good understanding about how you can best tackle your project.

Easy to use  
step by step  
guide

Complete  
material  
check list

List of all  
tools  
required



RE-SEAL ALL CUT  
ENDS OF TIMBER

USE GALVANISED FIXINGS ON  
ALL OUTDOOR PROJECTS

## PREPARATION

### Read instructions carefully

Before you commence any work we strongly recommend that you read all the instructions on these pages including the "Materials Check List" and "Tools Required" on the front of this brochure.

### Council permits

A building permit may be required so check with your local council authority before you commence any construction

### Select a site

Firstly select a suitable site. Consider existing garden, trees and drains and anticipated use such as entertaining, relaxation etc. Make sure the area is about 4.5 metres square and as level as possible.

*How To Gazebo* refers to basic frame only. Roofing, lattice handrail and decking as pictured are optional.

### Tools Required

- Handsaw
- Circular saw
- Power drill and bits
- Wood chisel
- Tape measure
- Carpenters Pencil
- Nail punch
- Shovel
- Crow bar
- Hammer
- Spanner
- String line
- Spirit level
- Combination square
- Paintbrush

### Materials Check List

- POSTS 90 x 90mm H4 Seasoned Treated Pine
- RAFTERS 140 x 35mm F7 Seasoned Treated Pine
- PURLINS 140 x 35mm F7 Seasoned Treated Pine
- SOLE PLATE 150 x 38mm Cypress Pine 1 Pair
- APEX PLATES & BOLTS 1 Pair
- SCREWS Hexagon Roofing Screws
- NAILS 75 x 3.75 mm Galvanised Bullet Head
- CONCRETE OR CONCRETE MIX
- RESEAL SPRAY

Sizes quoted to be used as a guide only

For safety use goggles, gloves and dust mask.

## Versatile Gazebo's are easily erected.

Gazebos are great for outdoor entertaining . . . maybe a lush arbour where you can sit and relax with your plants, or a shaded poolside sitting room. Ideal privacy cover for home unit courtyards. The possibilities are as exciting and numerous as your imagination can produce.

But the greatest news is that with the assistance of these easy to follow assembly instructions, you can build it yourself and SAVE!



**Bowens**  
THE BUILDERS CHOICE

*tip*

**SHOULD YOU WANT THE GAZEBO ERECTED FOR YOU BY A QUALIFIED TRADESMAN, JUST FILL IN AND MAIL THE COUPON ON THE BACK OF THIS BROCHURE, OR RING YOUR NEAREST BOWENS STORE. IT'S AS EASY AS THAT!**

## Check all parts

Make sure you have all the necessary timbers (posts, rafters and purlins), brackets, nails etc. as per the "Materials Check List" on the front page of this brochure.

### 1. Rafters

The metal plates provided by Bowens (Fig. 2) are specially designed to hold all rafters together permanently as per illustrations.

Lay the two longest rafters on the ground with the angle cuts together. Place the metal plate (supplied) as per (Fig. 3).

Drill 12 mm (1/2") holes where metal plates indicate. After drilling the holes, bolt the two rafters together with a plate each side of the rafters. Now bolt the four (4) remaining shorter rafters to the brackets. It is suggested the centre of the apex be propped up with scrap timber (900 mm) to support the rafters off the ground.

Having bolted all the rafters as per (Fig. 4), drive a peg where you have birds mouth

cutting into each rafter. It is most important that the birds mouths of each rafter are set 2.1 metres apart before the pegs are driven into the ground. Once all six (6) pegs are in position, dismantle the four shorter rafters from the brackets. This makes it easier to shift and later to lift up onto the posts. You now have a circle of pegs, which will be where the post holes are dug.

### 2. Posts

Using the peg as centre, dig post holes. The post holes MUST be 500 mm deep and 350 mm x 350 mm square. Now place the sole plate at the bottom of the hole making sure that they are bedded down hard. Place your sealed ends in ground (see page 3) in the holes dug and prop each post

with some scrap timber in a plumb position (DO NOT FILL IN HOLES) (Fig. 5). All the posts have to be cut off at the top at your selected height. The lowest height to the bottom of the purlins is 2.1 metres (head clearance). So allow for height from floor (not supplied) if required.

By using a water

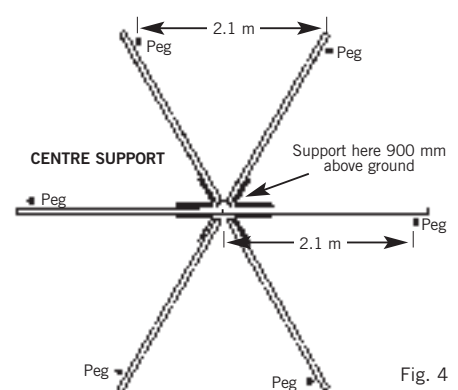
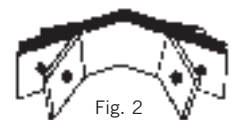
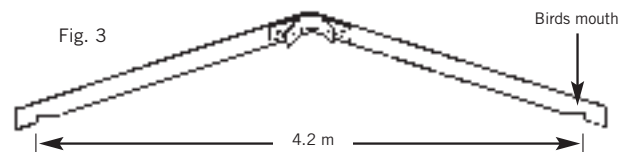
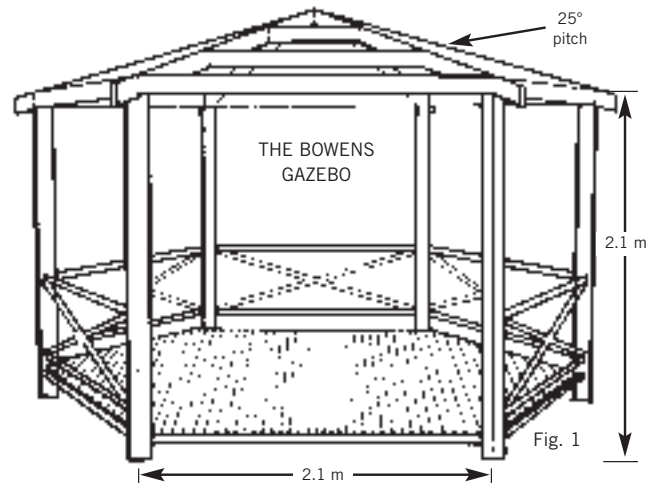


Fig. 4

## Gazebo

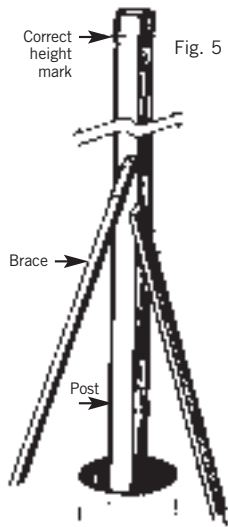


Fig. 5

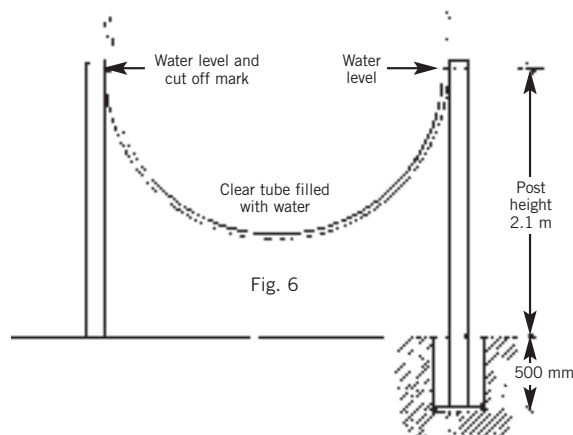


Fig. 6

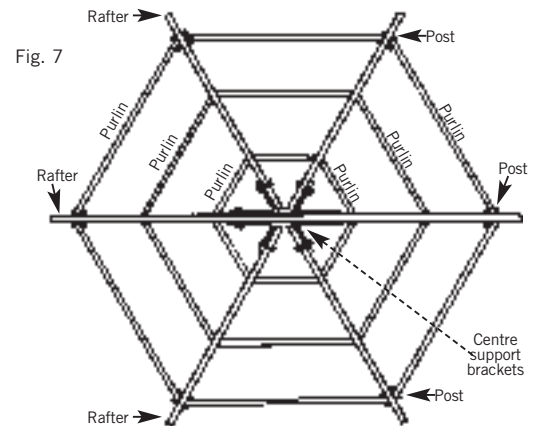


Fig. 7

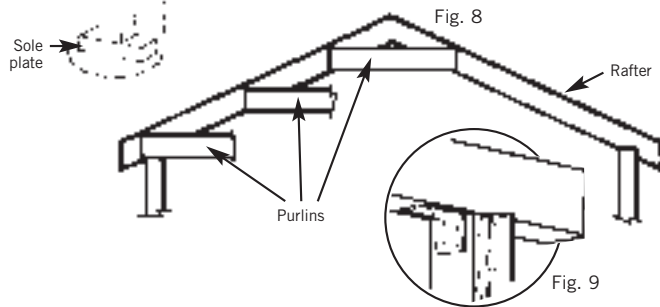


Fig. 8

Fig. 9

level as in (Fig. 6) to mark each post, a level height on each post can be marked ready for cutting. After getting the posts heights marked, lift each post out of the holes and cut the post to the required length.

**IMPORTANT:** When re-placing the posts into the holes, it is important that the cut end be coated with an approved treatment solution and the uncut end be placed in the ground.

After cutting, re-place posts back into holes, re-plumb and securely prop.

Lift the two longest rafters that are still bolted together up

onto the two posts, making sure that the birds mouths fit properly onto the post tops. If not, move the posts until they do fit onto the posts and ensure they remain level. Nail the rafters to the posts and prop the middle apex. Next bolt and nail the four (4) other rafters into position as in (Fig. 4).

### 3. Purlins

With all the rafters in place it is time to position the purlins. Take the longest purlins (2.1 metres long) and nail them between the rafters and onto the outside of the posts. Repeat this right around all

posts until fully circled as per (Fig. 7). Repeat with smaller purlins as per (Fig. 8). Now that the frame of the roof members are in position, the holes can be filled with a mix of about two (2) shovels of dry cement and earth or concrete mix.

**IMPORTANT:** Ensure posts are plumb before filling holes. Make sure rafters and purlins are securely nailed and screw metal brackets to underside of rafter and to inside of post. (Fig 9). Your Gazebo frame is now complete and ready for your selection of optional roofing materials.

## Optional Extras

**ROOFING:** There are a number of ways in which you can roof your Gazebo frame. It can be battened with slates, covered with shade-cloth or timber lattice. If a water conductive roof is selected (as in metal, timber shingles, fibreglass or polycarbonate sheeting) you will require a building permit from your local council.



Fig. 10



Fig. 11

**DECKS:** Decks must be 370 mm above ground level. A central stump and bearers must be constructed for a deck.

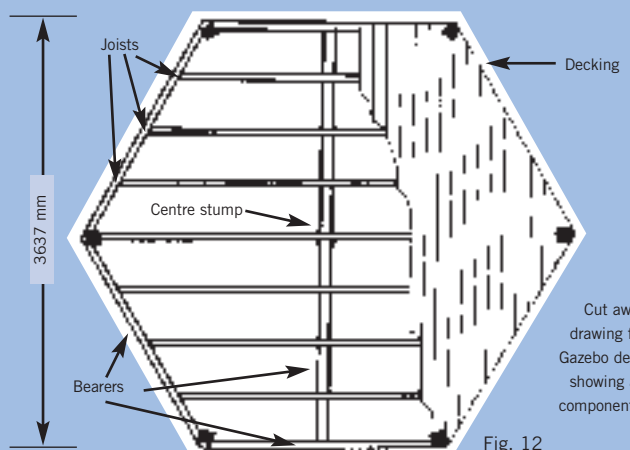


Fig. 12

Cut away drawing for Gazebo deck showing all components.

Number 06

## Call Toll Free

**1800 333 162**

or return this coupon to:

**Bowens The Builders Choice  
P.O. Box 1377,  
Vesper Drive,  
Narre Warren 3805**

Please send me the information I have marked here;

Name: \_\_\_\_\_

Address: \_\_\_\_\_

Postcode: \_\_\_\_\_

Phone: \_\_\_\_\_

 Yes I would like information on other 'How to Build' projects

- |   |  |
|---|--|
| <input type="checkbox"/> How to Build a Pergola       | <input type="checkbox"/> How to Build Timber Gates   |
| <input type="checkbox"/> How to Build a Carport       | <input type="checkbox"/> How to Build a Timber Fence |
| <input type="checkbox"/> How to Build Workbench       | <input type="checkbox"/> How to Build a Gazebo       |
| <input type="checkbox"/> How to Build Timber Steps    | <input type="checkbox"/> How to Build a Feature Wall |
| <input type="checkbox"/> How to Build Timber Shelving | <input type="checkbox"/> How to Build a Timber Deck  |

IMPORTANT: This project sheet has been produced to give basic information and our helpful staff are available to answer any questions you may have. However, the use of this information is on the understanding that Bowens (including it's author, servants and owners) disclaim all and any liability for any damages or other amounts found to be recoverable in relation to such information, even when given negligently or attributable directly or consequently upon any act or omission by or on behalf of Bowens. The user is advised to contract a qualified tradesman, when expert information or services are required.

WARNING: Always check with your council authority regarding by-laws or regulations which may be applicable to this project.

## Many Great Locations

### ■ Croydon

352 Dorset Road  
T. 9723 0394

### ■ Hallam

48-52 Hallam South Road  
T. 9796 3088

### ■ Hastings

2 Graydens Rd  
T. 5979 1267

### ■ Laverton North

163 Cherry Lane  
T. 9353 7700

### ■ Mount Evelyn

26 York Road  
T. 9736 2588

### ■ North Melbourne

135-173 Macaulay Road  
T. 9328 1041

### ■ Oakleigh South

717 Warrigal Road  
T. 9579 1188

### ■ Rowville

963 Stud Rd, Cnr. Kelletts Road  
T. 9763 7522

### ■ Taylors Lakes

45 Melton Highway  
T. 9390 8899

# Bowens

## THE BUILDERS CHOICE