

HOW TO BUILD A TREATED PINE PRIVACY FENCE

**STEP
BY STEP
GUIDE
No. 13**

HOW TO BUILD A TREATED PINE PRIVACY FENCE

13

**EASY
TO FOLLOW
STEP BY STEP
GUIDE**

**COMPLETE
MATERIALS
CHECK
LIST**

**LIST
OF ALL
TOOLS
REQUIRED**



**REFER TO COUPON
ON BACK PAGE FOR
MORE INFORMATION
REGARDING THIS
AND OTHER
BOWENS PROJECTS**

MATERIALS CHECK LIST

- Posts 90 x 90 mm Seasoned treated pine
100 x 100 mm Treated pine
100 x 100 mm Cypress pine
- Rails 75 x 50 mm Seasoned treated pine
- Battens or Palings 100 x 12 mm Treated pine
- Plinths 150 x 25 mm Treated pine
- Capping rail 100 x 38 mm Seasoned treated pine
- Nails Framing: 75 x 3.75 mm
Galvanised flat head
Palings: 50 x 2.80 mm
Galvanised flat head
- Concrete 40 kg bags

**SIZES
QUOTED
TO BE USED
AS A GUIDE
ONLY**

TOOLS REQUIRED

- Power or hand saw
- Hammer
- Carpenters square
- Power drill and bits
- Builders level
- Measuring tape
- Wood chisel
- Shovel
- Carpenters pencil
- String line
- Paintbrush
- Sandpaper

**FOR SAFETY USE GOGGLES,
GLOVES AND DUST MASK.**



Bowens THE BUILDERS CHOICE

- | | | | | |
|--|--|---|--|--|
| Croydon
352 Dorset Rd
Ph 9723 0394 | Hastings
Graydens Rd
Ph 5979 1267 | North Melbourne
135-173 Macaulay Rd
Ph 9328 1041 | Rowville
963 Stud Rd
Ph 9763 7522 | Prefabrication Plants |
| Epping
13 Scanlon Drive
Ph 9408 6566 | Laverton
163 Cherry Lane
Ph 9353 7700 | Oakleigh South
717 Warrigal Rd
Ph 9579 1188 | Shepparton
7 Wheeler St
Ph 5822 2364 | Dandenong
267 Hammond Rd
Ph 9792 2888 |
| Hallam
48-50 Hallam Sth Rd
Ph 9796 3088 | Mt Evelyn
26 York Rd
Ph 9736 2588 | Phillip Island
83-85 Settlement Rd
Ph 5952 5633 | Taylor's Lakes
45 Melton Hwy
Ph 9390 8899 | Hastings
Graydens Road
Ph 5979 2223 |
| | | | | Morwell
8 Jones Road
Ph 5135 6781 |

Proprietor: BOWEN & POMEROY Pty Ltd ABN 78 004 174 887 Reg. Office: 48-50 Hallam South Road, HALLAM 3803

www.bowens.com.au

feedback@bowens.com.au

**CALL TOLL FREE
1 800 333 162**
OR RETURN THIS COUPON TO:
**BOWENS TIMBER AND
BUILDING SUPPLIES**
P.O. BOX 1377, VESPER DRIVE,
NARRE WARREN 3805

13 NAME:
ADDRESS:
POSTCODE: PHONE:

PLEASE SEND ME THE INFORMATION I HAVE MARKED HERE

<input type="checkbox"/> 1 Timber Deck	<input type="checkbox"/> 8 Work Bench
<input type="checkbox"/> 2 Pergola	<input type="checkbox"/> 9 Timber Steps
<input type="checkbox"/> 3 Timber Fence	<input type="checkbox"/> 10 Timber Shelving
<input type="checkbox"/> 4 Feature Wall	<input type="checkbox"/> 11 Timber Gates
<input type="checkbox"/> 5 Carport	<input type="checkbox"/> 12 Handrail
<input type="checkbox"/> 6 Gazebo	<input type="checkbox"/> 13 Privacy Fence
<input type="checkbox"/> 7 Cubby House	<input type="checkbox"/> 14 Retaining Wall

Bowens THE BUILDERS CHOICE

HELPING YOU BUILD IT BETTER! HELPING YOU BUILD IT BETTER!

IMPORTANT: This project sheet has been produced to give basic information and our helpful staff are available to answer any questions you may have. However, the use of this information is on the understanding that Bowens (including it's author, servants and owners) disclaim all and any liability for any damages or other amounts found to be recoverable in relation to such information, even when given negligently or attributable directly or consequentially upon any act or omission by or on behalf of Bowens. The user is advised to contract a qualified tradesman, when expert information or services are required.
WARNING: Always check with your council authority regarding by-laws or regulations which may be applicable to this project.

HOW TO BUILD TREATED PINE FENCES FOR PRIVACY!

USING THESE EASY TO UNDERSTAND BOWENS PROJECT INSTRUCTIONS

CONSTRUCTION

See fencing erection details.

LAYOUT Using a stringline and tape, locate the positions of all posts with pegs. If you are running along a boundary line, this will need to be determined accurately. Talk about it with your neighbours.

POSTS Posts are checked (to take the rails) to a depth of 25mm (Fig. 1). Bevel the top as shown. They are then set on sole plates in the ground, in holes dug to 600mm. String-lines are used to ensure that posts are in line and that the level of the checks is the same. Set the posts in with rammed earth or concrete.

RAILS Rails are let into the checks in the posts by checking out the end of the rail by 25mm (Fig. 1). Fix with 75 x 3.75mm galvanised flat head nails. Note that when sloping ground is encountered, rails may be run parallel to the slope, which means that the posts will need to be checked at an angle.

BATTENS (Pailings) The top row of battens should be fixed to rails using two 45 x 2.5mm galvanised flat head nails for treated pine battens. Place battens (pailings) over the face of each rail, and using a spacer block secure the battens evenly. The top row is fixed using two 65 x 2.5mm galvanised flat head nails for treated pine battens. Pre-drill these nail holes.

CAP The cap is secured using 75 x 3.15mm galvanised jolt head nails at 450mm centres. The top edges of the cap are chamfered by 10mm. The cap is used to cover the end grain of the battens (pailings).

FINISHING Timber can be left raw, painted or stained. Paints and stains tend to preserve the life of the timber. All timber should receive a first coat of finish before the fence is assembled, as many areas cannot be repainted once the fence is built. All cut ends of treated pine timber should be treated with 'Re-seal' or similar sealing compound.

Treat all cut ends with 'Re-seal' or similar sealing

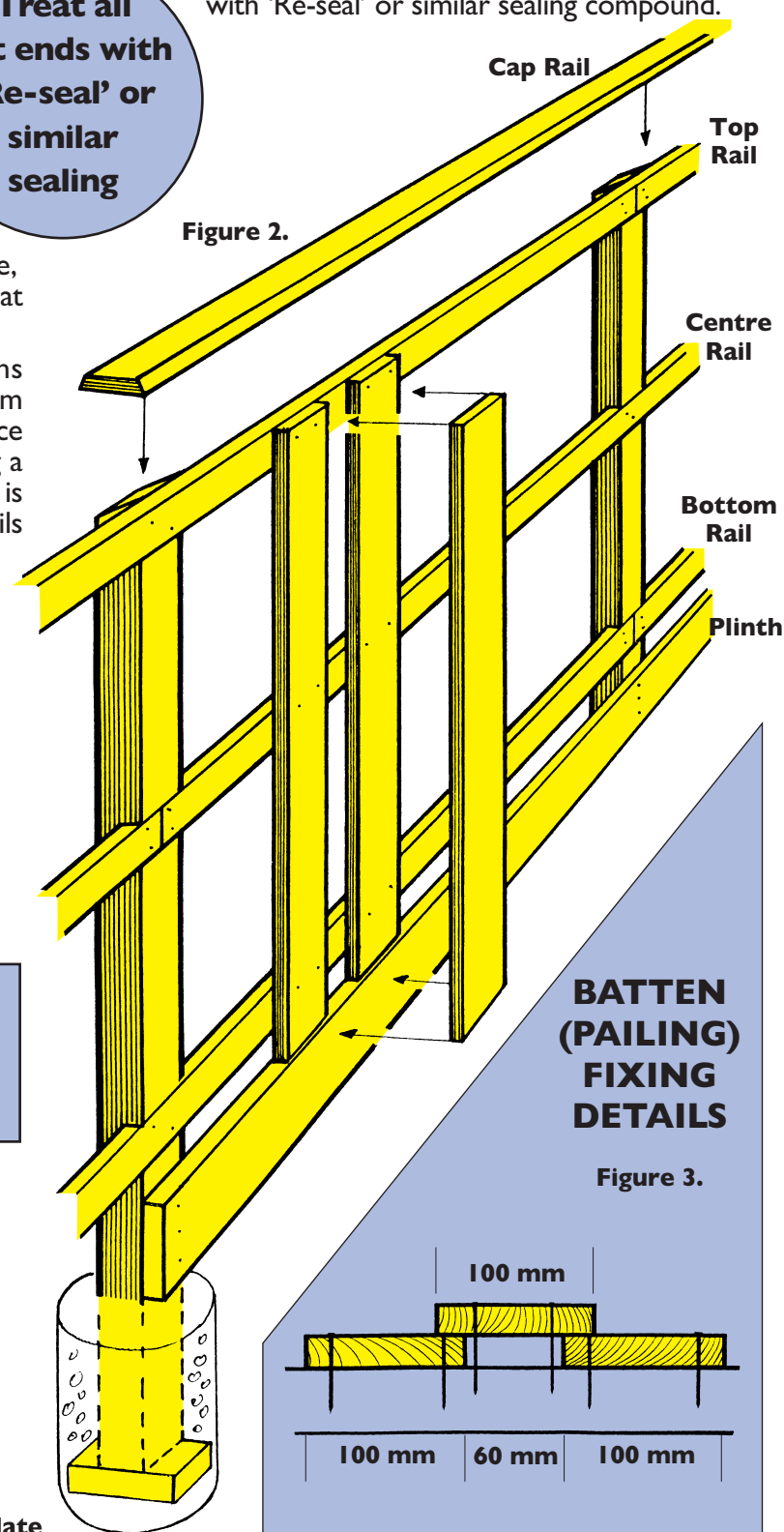
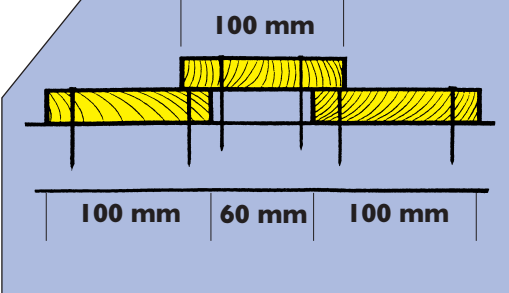


Figure 2.

BATTEN (PAILING) FIXING DETAILS

Figure 3.



Soleplate

Bowens recommend that you contact your local council authority before commencing your

Note: A building permit is required for all side fences over two metres high and for front fences in excess of one metre in height.

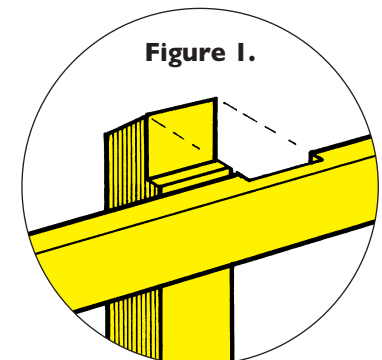
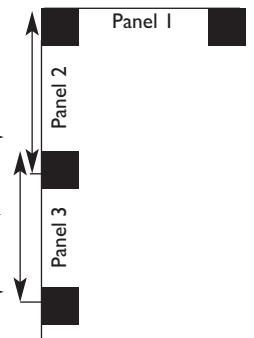


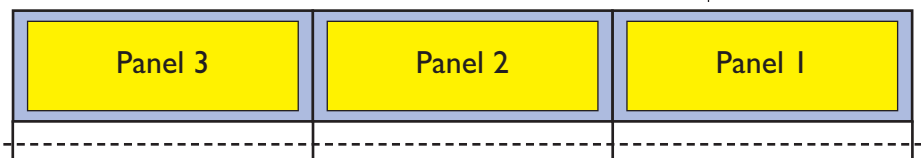
Figure 1.

TIMBER

- 1 Draw out the fence in plan showing the location of all posts.
- 2 Mark the size of the posts.
- 3 Mark the distances between the posts. (Normally 2.0m from outside to outside).



- 4 Draw up a diagram of the fence as shown and calculate the timber list as per our example below.



Example:

Posts	100 x 100 mm Treated Pine	Our illustrated example shows 1950 mm high posts cut from 2700 mm lengths set in 600 mm holes.	
Rails	75 x 50 mm Treated Pine	3 x 2100 mm	3 x 2100 mm or 6 x 4200 mm for the panels
Battens or pailings per panel	100 x 12 mm Treated Pine	bottom 13 top +12 = 25	10 + 9 = 19
Plinths	150 x 25 mm Treated Pine	1 x 2100 mm	1 x 2100 mm or 2 x 4200 mm for two panels
Cap Rail	100 x 38 mm Treated Pine	1 x 2100 mm	1 x 2100 mm or 2 x 4200 mm for two panels

- 5 Order the timber and other materials from your nearest Bowens store.
- 6 Follow construction guide on previous page.
- 7 Apply exterior fence finish to colour of your choice.

Perma-Log™ range of treated products are produced from a renewable resource... Plantation Pine, grown in well managed forests on a sustainable yield basis. The preservative treatment provides long-term protection against termite and fungal attack. Treated Pine is treated for specific applications as indicated in table below...

The 'H' level	The Use	The Hazard
H1	flooring, moulding, furniture, framing, lining	BORERS (inside use)
H2	flooring, framing	BORERS TERMITES (inside use)
H3	cladding, fence rails, outdoor furniture, pailings, decking, external joinery	BORERS TERMITES MODERATE DECAY (outside above ground)
H4	stakes, posts, marker pegs landscaping materials pergola frames in ground retaining walls	BORERS TERMITES HIGH DECAY (outside in/on the ground, non-critical end use, low replacement cost)
H5	poles, building foundations, land piles, plywood foundations	BORERS TERMITES HIGH DECAY (outside in/on the ground, non-critical end use, high replacement cost)
H6	marine piles, oysters stakes, fresh water piles, cooling tower fill	MARINE BORERS VERY HIGH DECAY (in contact with water)

WARNING AUSTRALIAN PLANTATION PINE PRESSURE TREATED WITH COPPER CHROME ARSENATE (CCA)

Risk: Exposure to the dust from this product is irritating to the eyes, skin and respiratory system. May cause sensitisation by inhalation (asthma) and skin contact (allergic dermatitis).
Repeated inhalation of the dust may cause cancer.

Safety: Avoid repeated or prolonged contact with skin. Avoid contact with eyes. Avoid breathing dust. Work areas should be kept clean. Sawing, sanding and routing equipment should be fitted with dust extractors such that dust levels are kept low as practicable and at least below standards laid down by Worksafe Australia for wood dust, copper, chrome and arsenic. Clean up by vacuum cleaning (not by sweeping or compressed air). Wear suitable protective clothing including eye (AS/NZS 1337) and respiratory (AS 2161) and protective clothing (AS 3765.1) when handling freshly treated timber or machining treated timber. Wash hands thoroughly with mild soap and water after handling treated timber. Wash work clothes regularly and separately from other clothes.

First Aid: Irrigate eyes with plenty of water. Wash skin with soap and water.

Disposal: Follow above safety instructions, and note that disposal of CCA treated timber and its dust and shavings should be by burial. Collect in containers for disposal as trade waste in accordance with local authority guidelines. DO NOT BURN IT.

Fire: Wood dust can form an explosive mixture in air. Earth all exhaust equipment and prevent high dust concentrations in confined spaces.

Additional information is listed in the Safety Data Sheet for this product.
CSR Softwoods (ACN 007 541 460) Level 6, 9 Help Street, Chatswood, NSW 2067. Ph: 02 372 5777

"Bowens acknowledge that all information herewith is proudly supplied by and remains the property of CSR Softwoods".